



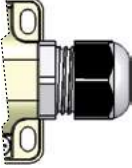
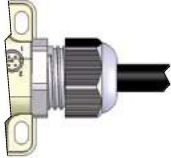
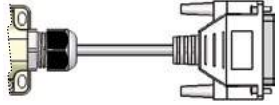
# JDC (M12) Junction Blocks

8 Port, 4 Pin JDC Junction blocks

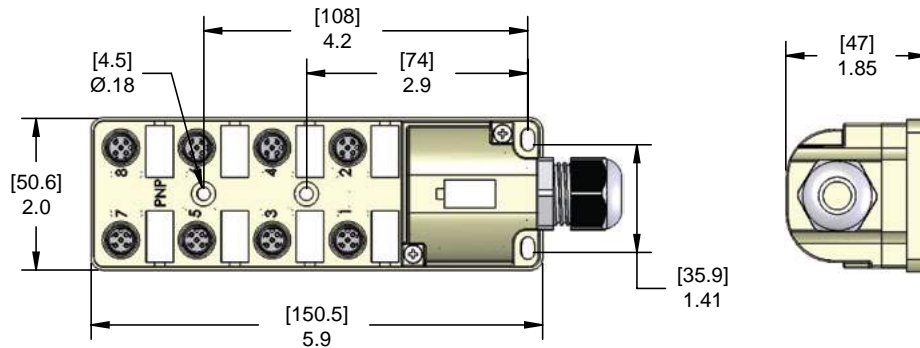


Field Wireable | Cable | D-Sub | IP67 Protection Rating



Trunk Style	UL Rating	Trunk Connection	Part Number		
			No LED	PNP	NPN
	UL Listed	Field Wireable 24 AWG - 16 AWG	JDC-840-011-F000	JDC-84P-211-F000	JDC-84N-211-F000
	UL Listed	Black PUR AWM With Foil Shield 24 AWG Drain Wire <b>3 x 18 AWG</b> <b>8 x 22 AWG</b> 8.6mm OD	JDC-840-011-C**	JDC-84P-211-C**	JDC-84N-211-C**
	N/A	Gray PVC With Foil Shield 20 AWG Drain Wire <b>21 x 24 AWG</b> <b>4 x 20 AWG</b>	JDC-840-025-D**	JDC-84P-225-D**	JDC-84N-225-D**

\*\* Lengths in meters. Standard cable lengths are 2m, 5m and 10m. Consult factory for other lengths.



JDC Junction Blocks

Q

### Specifications:

Ratings:	3 A per Connector 8 A per Block	Inserts:	Polyamide
Voltage:	Without LEDs: 0-150 Volt Max With LEDs: 48 VDC Max in accordance with LED Configuration	Port Coupling Nuts:	PBT
Body:	Polypropylene	O-Ring:	BUNA-N
		LED Lens:	Polycarbonate
		Contacts:	Copper Alloy with Gold Plating
		Marker Tags:	Polyamide (supplied on all units)

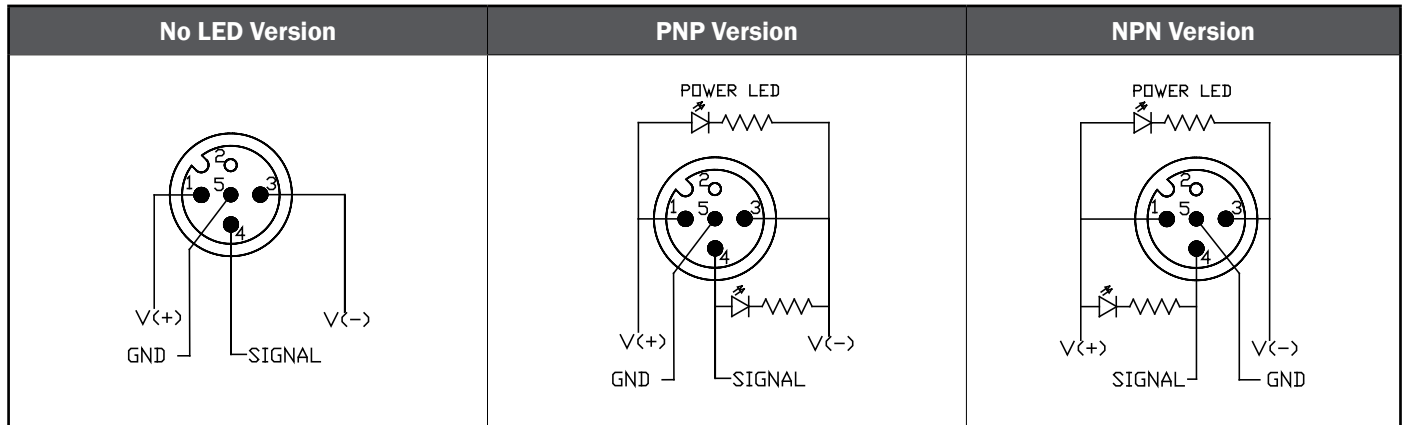


# JDC (M12) Junction Blocks

8 Port, 4 Pin JDC Junction blocks



Field Wireable | Cable | D-Sub | IP67 Protection Rating



Function	Cable Version	25 PIN Male D-SUB
	Cable O.D. 0.35"	
+ V	Brown	PIN #22 & #23
- V	Blue	PIN #24 & #25
Ground	Green/Yellow	Shield
PORT 1 PIN 4	White	PIN #1
PORT 2 PIN 4	Green	PIN #2
PORT 3 PIN 4	Yellow	PIN #3
PORT 4 PIN 4	Gray	PIN #4
PORT 5 PIN 4	Pink	PIN #5
PORT 6 PIN 4	Red	PIN #6
PORT 7 PIN 4	Black	PIN #7
PORT 8 PIN 4	Violet	PIN #8

JDC Junction Blocks

Q